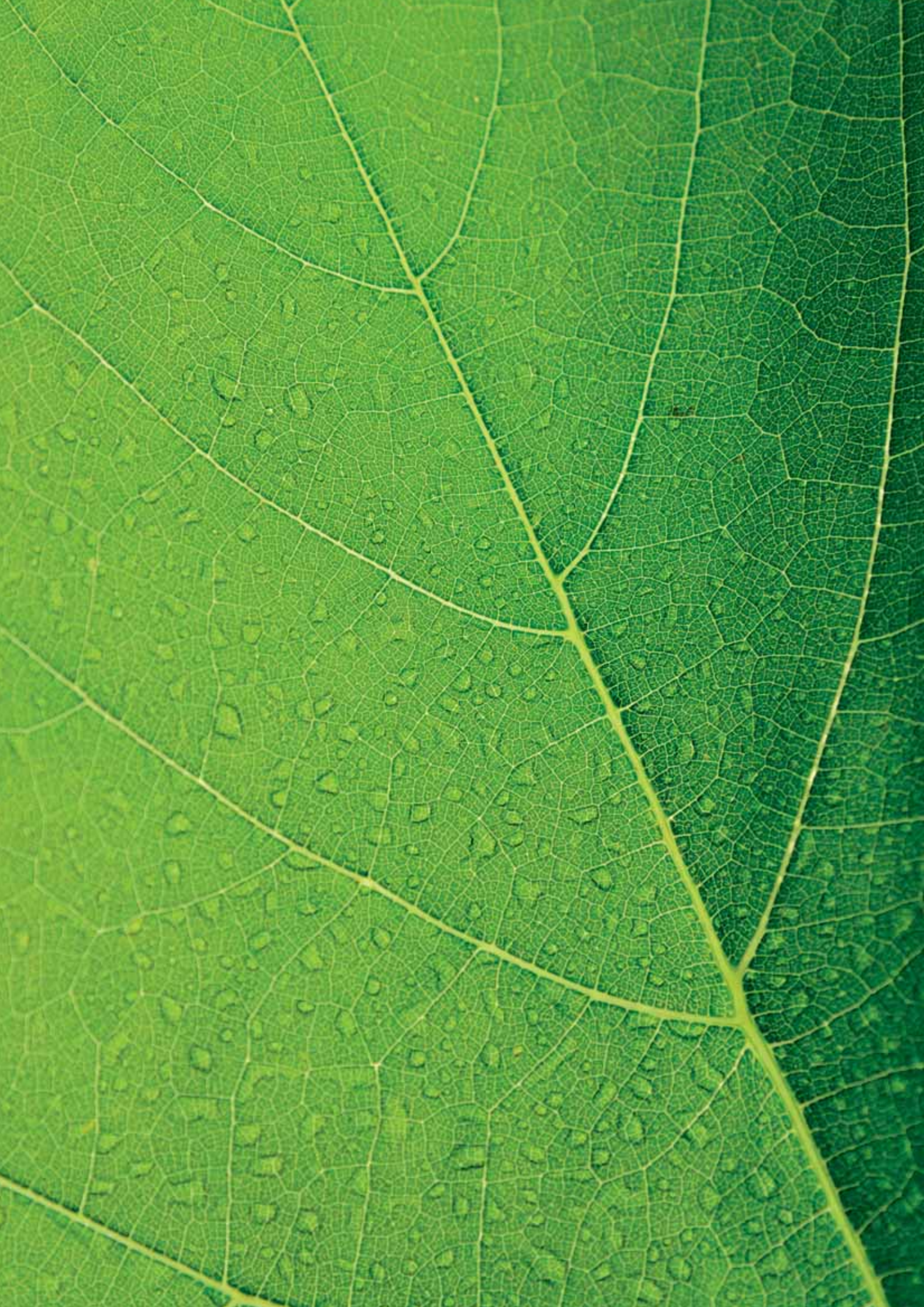




CENTRAL VACUUM SYSTEMS

live your healthy clean home

sistemair.it



CHOOSE HEALTH

The only healthy cleaning
for your home

The piece of mind of knowing your living
spaces are free of allergens, mites and
pollutants.

Forever.

Well-being at the right time

Plan your life now.
Your house as clean as
the first day.

Well-being doesn't have to be a compromise and cleaning are daily chores that regard all homes.

Using household appliances is the result of not paying attention to protecting one's health.





Smart clean integration

The healthy home concept



The integrated cleaning system Sistem Air gives your home full hygiene.

The strong vacuuming removes any trace of dust.

After being filtered, air is ejected from the house through the external vent.

This permanently eliminates mites, allergens, pollutants, bacteria and viruses from home environments, particles which are so small that no filter can capture them.

Portable and robot vacuum cleaners blow the suctioned air where you just passed. IT'S like never having cleaned.

Remember that it doesn't matter who does the cleaning, but how it's done.

LIGHTWEIGHT AND HANDY

the hose weighs less than a bag of pasta

EXAGGERATED POWER

suctions at 90 km/h creating vacuum

SUPER SILENT

like the whisper in a library

ENERGY SAVING

zero consumption



We want every home to be healthy

Protect your family, don't make your home ill

Mites

Allergies

Bacteria

Viruses

Pollutants

Harm caused by micro-dust

We spend over 90% of our time indoors and the air can be polluted.

Mites, allergens, bacteria and viruses enter our homes with the dust carried by cloths and pets. In cities, the volatile compounds of the pollutants penetrate invisible and odourless.

Since 1986, the World Health Organization has defined the characteristics of the Sick Building Syndrome, related to the presence of micro-dust and pollutant agents, recommending forms of prevention for all constructions.

The integrated cleaning system is the only one capable of ejecting harmful substances to the outside.



RESPIRATORY DISEASES
ASTHMA AND COUGHING



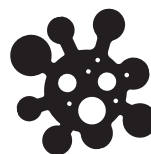
NAUSEA AND
GASTROINTESTINAL DISORDERS



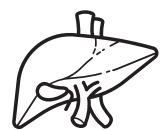
HEADACHE AND ILLNESSES OF
THE NERVOUS SYSTEM



EYE IRRITATION
AND TEARING



POSSIBLE DEVELOPMENT OF
TUMORS AND CANCER



INTERNAL DISEASES OF
LIVER AND KIDNEYS





SISTEM-AIR

What you would like to know

But never dared asking

What is special about it compared to household appliances?

The central vacuum system ejects the suctioned pollutants outside without going back into circulation.

Try this: place your hand behind the vacuum cleaner to feel the hot air exhaust. This air is rich in micro-dust that goes right back where you just cleaned, where you breathe and live your most precious moments.

Why should I choose it instead of a cordless broom or robot?

It's the only system in the world that ejects mites and allergens outside of the rooms. It's strong, saves energy, needs practically no maintenance and, once it's done, it lasts forever.

I've got crabby neighbours and I don't want to cause any problems: could their balcony be filled with dust?

No, only filtered air exits the external vent. The micro-dust, invisible to the naked eye, is released into the atmosphere without causing any inconveniences.

Household appliance advertising says that the filter blocks over 99% of the pollutants, can I rest assured?

Absolutely not, this is fake news. The filter isn't a plug and air needs to pass to be able to perform its function. Were it to capture all of the dust, it wouldn't be able to suction a crumb.

Is it only suitable for large, luxury homes? Is it very expensive?

Nonsense! Even a small one-room flat has the right to be clean and healthy. Prices vary depending on the dimensions of the building, but are similar to a high-end household appliance.

Where does the filth end up?

In the dust bin of the vacuum unit which is emptied about twice a year.

Do I need to put a vacuum inlet in each room?

No, with one vacuum inlet you can clean about 35 m² of surface. Just place it at strategical spots for excellent coverage.

Can it get clogged?

No, whatever passes through the small hose flows right through into the large one. The cleaning hose has a diameter of 3 cm while the underfloor ones even 5 cm!

Can it be installed in a finished home?

Normally it's inserted during construction or renovation.

However Sistem Air has invented Jolly, the wall-mounted vacuum cleaner for already completed homes without the pipe network that offers the same advantages as the centralised system.

Will I need to clean the hoses?

You'll never need to worry about cleaning the hoses because the suctioned air creates a cyclone which keeps the filth in the middle, without building up residue.

The system for independent homes

Source of well-being for every space

An evolution that starts from the vacuum inlets, discrete and identical to the chosen interior design, where the cleaning hose is inserted.

This gesture is sufficient to free every room from filth and micro-dust.

Feel free to vacuum every room including porches, garages and balconies.

The dust reaches the spacious bin of the suction unit, without ever coming into contact with the user. Only the pollutants will exit the outside vent.

You will no longer need to drag heavy and noisy household appliances or rigid cordless vacuum cleaners to clean the floors of the home.



PIPE NETWORK

flush mounted

VACUUM INLETS

connected to the pipe network

VACUUM UNIT

in a utility room or sheltered outdoors

FLEXIBLE HOSE

to clean with practicality and agility



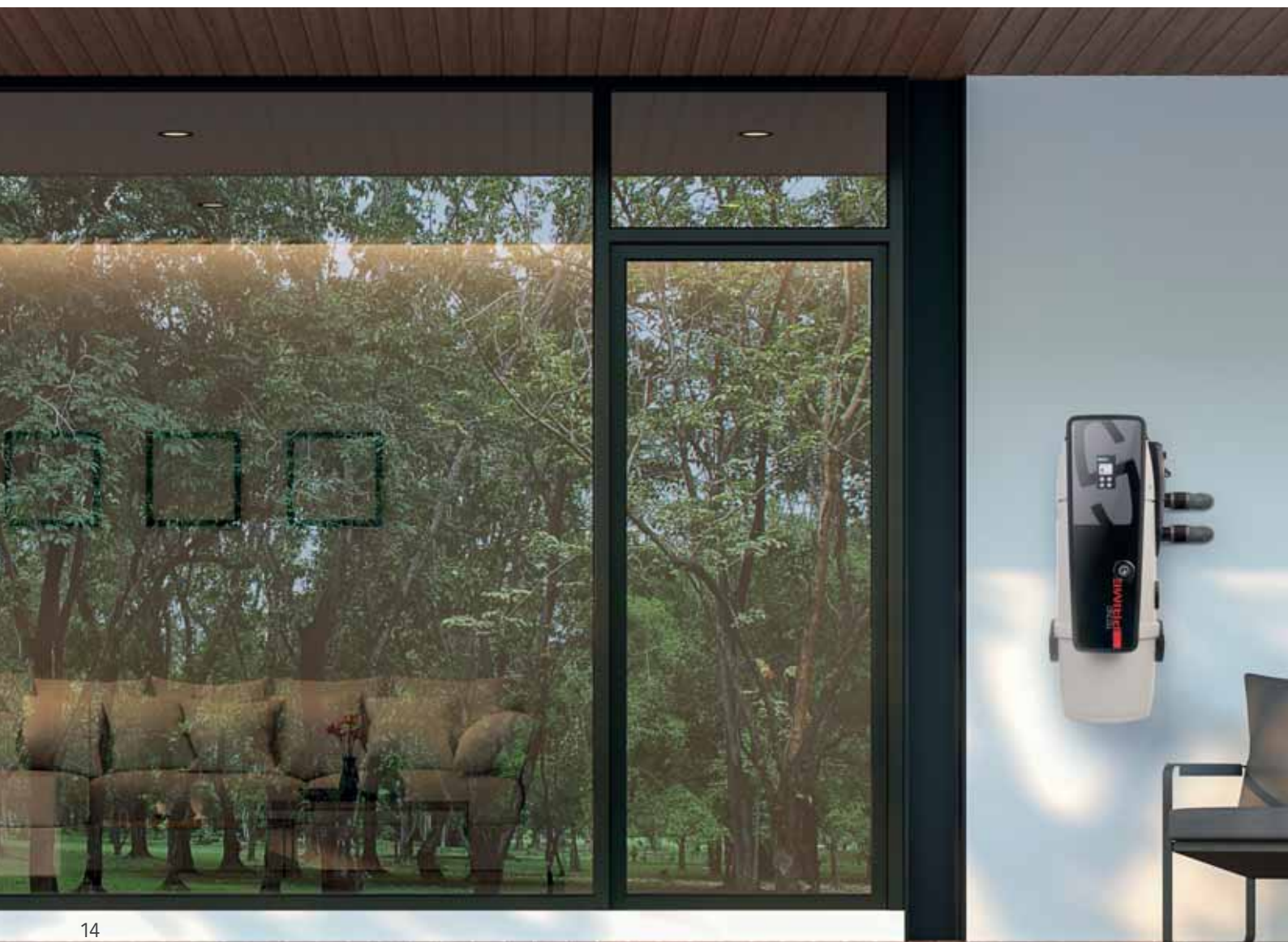
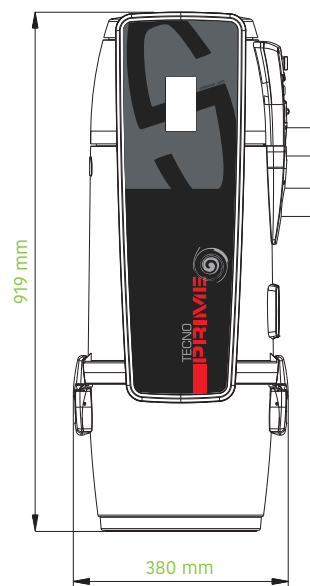
The green breath of the system

Solutions designed for your home

STANDARD LINE - 1 OPERATOR

Tecno Prime vacuum unit

To clean up to 450 m² of surface.
The perfect choice for all homes





MAGNUM LINE - UP TO 2 OPERATORS

Tecno Star vacuum unit

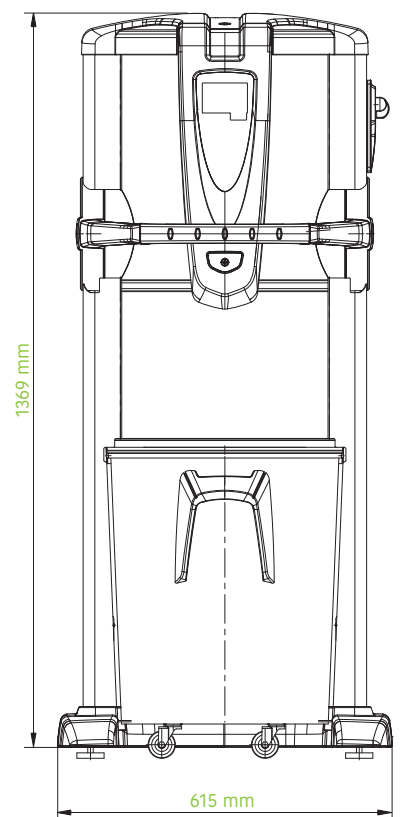
For large homes and large families.
Ideal for large dimensions or duplexes



To vacuum in two different homes



Or to be used by two people simultaneously in the same home



Your healthy flat

Shut the city outside and regenerate

Reduced spaces and aesthetic constraints don't need to obstruct well-being.

The strategically placed vacuum inlets allow you to insert the hose and to clean every nook and cranny. Identical to the chosen design, they can harmoniously be inserted in the rooms.

A vacuum unit, recessed outdoors or placed under the kitchen sink or in the laundry room, collects the dust in a microfibre filter bag.

The strong suction of the system removes every trace of filth and thanks to the outside vent, eliminates mites, allergens, pollutants, bacteria and viruses.

Lastly, recessed systems are compatible with the strictest thermal transmittance, acoustic and energy certifications.



PIPE NETWORK

flush mounted

VACUUM INLETS

connected to the pipe network

VACUUM UNIT

recessed or under the sink

FLEXIBLE HOSE

practical and convenient for cleaning chores

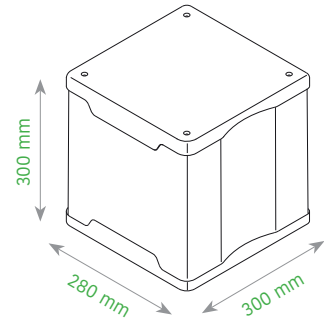


From the one-room flat to the attic

Zero pollutants in the air, aesthetic perfection at home

Cube small size vacuum unit

A concentration of healthiness and vacuum strength integrated under the sink

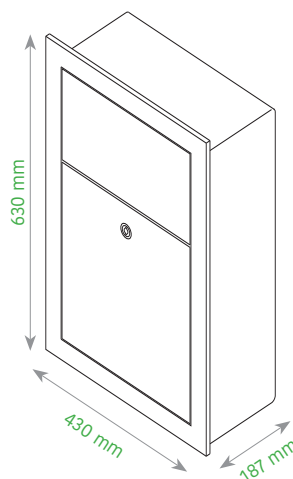




Wolly 2 recess vacuum unit

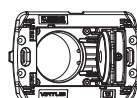
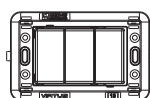
To clean flats up to 300 m².

The real beauty is in the power of silence



Vacuum inlets

Identical to the civil series of your home and they connect to the vacuum unit





Goodbye maintenance

Constant no-touch cleaning

Two minutes twice a year. That's all that's needed to empty the dust bin or to change the bag of your central vacuum system.

This is because that they are so big that they will free you of any routine maintenance.

Extraordinary maintenance? No need.
The system lasts forever, it never clogs and is designed to prevent any type of external intervention.

ZERO MAINTENANCE

it is easy to empty the dust or to change the bag

SUPREME FILTERING

you'll always be safe thanks to the professional class M filters

COMPANION FOR LIFE

the system will always remain with you in your healthy home

Technology in cloud

With Air Cloud, a cloud of piece

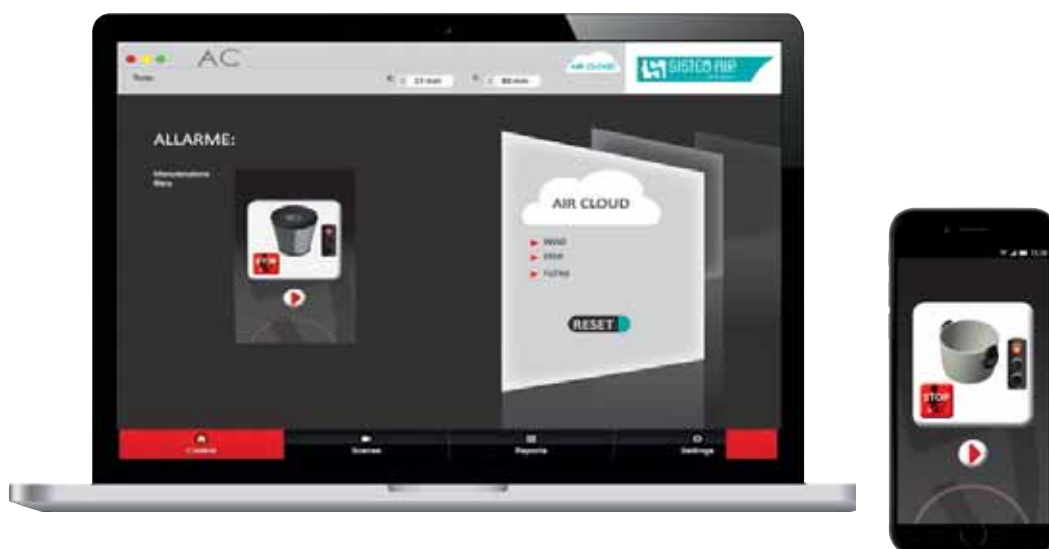


You'll forget the vacuum unit.

Your personal assistant will perform a constant diagnosis for you, thanks to the Sistem Air connected technology.

You will get the integral 6-year Cloud Warranty putting the vacuum unit online.*

From App or PC, your vacuum unit controlled from any part of the world, connected in cloud via Wi-Fi or with an ethernet cable to the Sistem Air servers.





SISTEM-AIR



Accessories

A complete catalogue for every cleaning requirement



Exclusive ritual

For a deep cleaning that respects all surfaces, even the most delicate. Sistem Air has developed an exclusive collection of dedicated accessories.

Each material needs specific care.



Natural by definition

Only natural vegetable origin bristles, carefully selected and designed to remove even the tiniest dust.

PURE COLOR

they leave no
traces during use

FLEXIBLE JOINT

to easily
reach everywhere

LONG LASTING

they reduce the
frequency of cleaning

GREAT TO CHOOSE

brushes
for every wish





Flisy 2

The most advanced wireless on/off switch

Switch the system on and off directly from the handle

The patented technology and the careful study of the design make the handle ultralight and extremely strong.

Ergonomic and handy, it is designed to eliminate fatigue making it seem like there is absolutely no hose.



INTEGRATED

compact design
extra-slim

INFINITE

always works thanks to
the lithium battery

ULTRALIGHT

super light handle and
hose





VIRTUS

Vacuum inlets

The vacuum inlets fully reflect the civil series.

The design does not exclude sturdiness, for a harmonious result.



DESIGN

absolute quality,
elegant and perfect

STRONG

intended to remain
forever unchanged



sistemair.com
27020 Gravellona Lomellina (PV) ITALY - Via Cilavegna, 53
Tel. + 39 0381 650082 - info@sistemair.it

